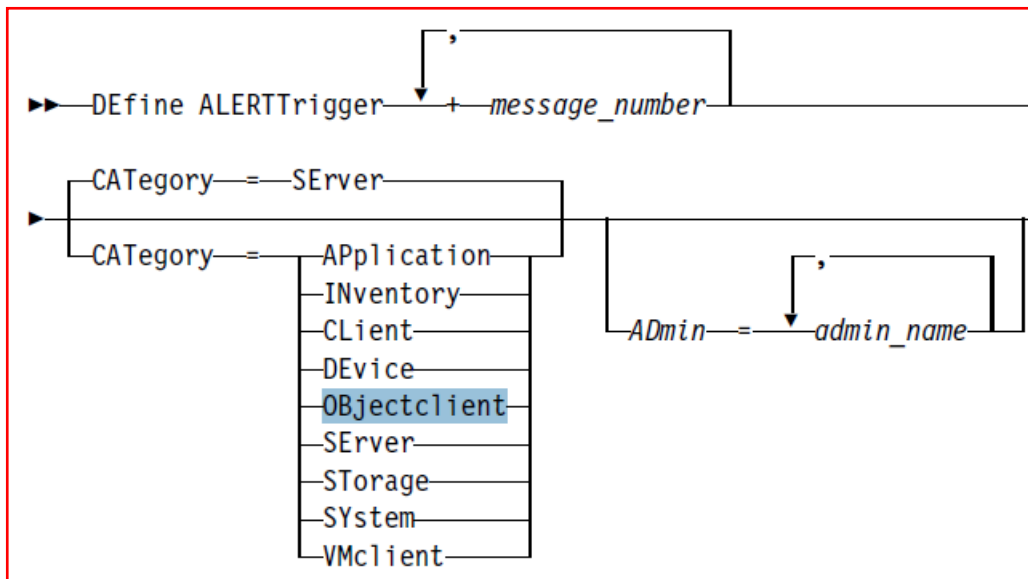


## DEFINE ALERTRIGGER

Use this command to trigger an alert whenever a server issues a specific error message. You can define a **message number** to be an alert trigger, assign it to a **category**, or specify **administrators** who can be notified of the alert by email

**New with 8.1.7:** CAteGory "**Objectclient**" - alerts for **Spectrum Protect PLUS** connections



### Example:

```
tsm: SERVER1>define alerttrigger ANR2000E  
ANR4772I Alert trigger ANR2000E defined.  
ANR4774I DEFINE ALERTRIGGER command processed.
```

## Result:

```
tsm: SERVER1>query alerttrigger ANR2000E
```

Alert Trigger	Category	Administrator
ANR2000E	SERVER	

What happens, if admin "**admin1**" is not defined as e-mail receiver and **if message is already defined as an alert** ?

```
tsm: SERVER1>define alerttrigger ANR9999D category=system admin=admin1
ANR3492W DEFINE ALERTTRIGGER: Administrator ADMIN1 is not configured to receive alerts by email.
ANR4769W DEFINE ALERTTRIGGER: Alert trigger is already defined for ANR9999D.
ANR4774I DEFINE ALERTTRIGGER command processed.
```