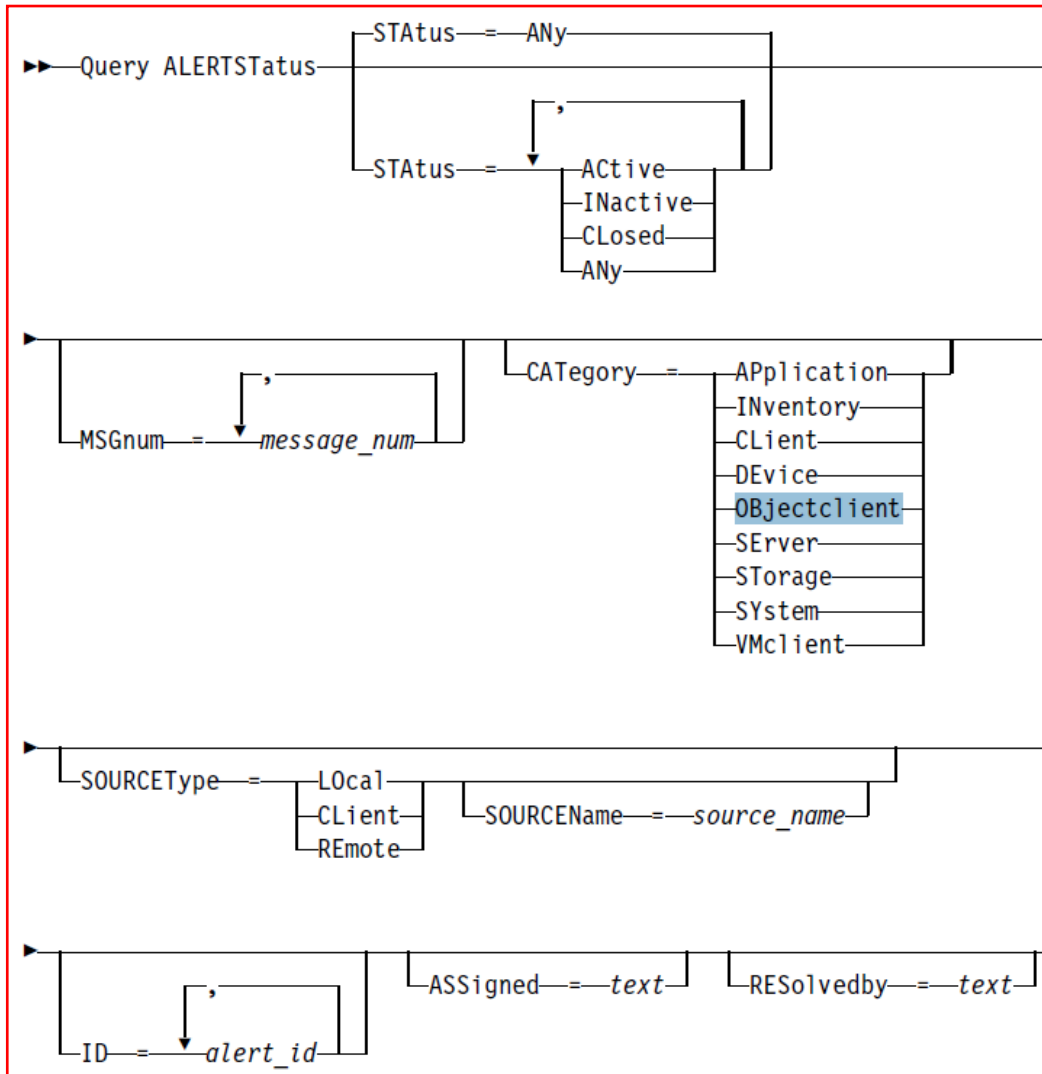


QUERY ALERTSTATUS

Use this command to display information about existing alerts.

New with 8.1.7: CAteGory "Objectclient" - alerts for **Spectrum protect PLUS** connections



some parameters explained:

Sourcetype: **Local** (from local TSM server)
Client (from TSM client)
Remote (from another TSM server)

SOURCENAME=local or
remote TSM server name

2 Examples:

```
tsm: SERVER1>g alertstatus status=active
Alert Identifier: 2253
Alert Message Number: 1960
Source Name: SERVER2
Source Type: LOCAL
First Occurrence: 05/08/2015 21:17:30
Most Recent Occurrence: 05/08/2015 21:17:30
Count: 1
Status: ACTIVE
Last Status Change: 05/08/2015 21:17:30
Category: SERVER
Message: ANR1960I Status monitor finished collecting data at 21:17:30 and will sleep for
5 minutes.
Assigned:
Resolved By:
Remark:
```

```
tsm: SERVER1>g alertstatus msgnum=3654
Alert Identifier: 2151
Alert Message Number: 3654
Source Name: SERVER2
Source Type: LOCAL
First Occurrence: 05/04/2015 16:26:19
Most Recent Occurrence: 05/06/2015 19:50:57
Count: 3
Status: CLOSED
Last Status Change: 05/08/2015 21:16:42
Category: SERVER
Message: ANR3654W Inventory file expiration processing did not run in the previous 24
hours.
Assigned:
Resolved By:
Remark:
```