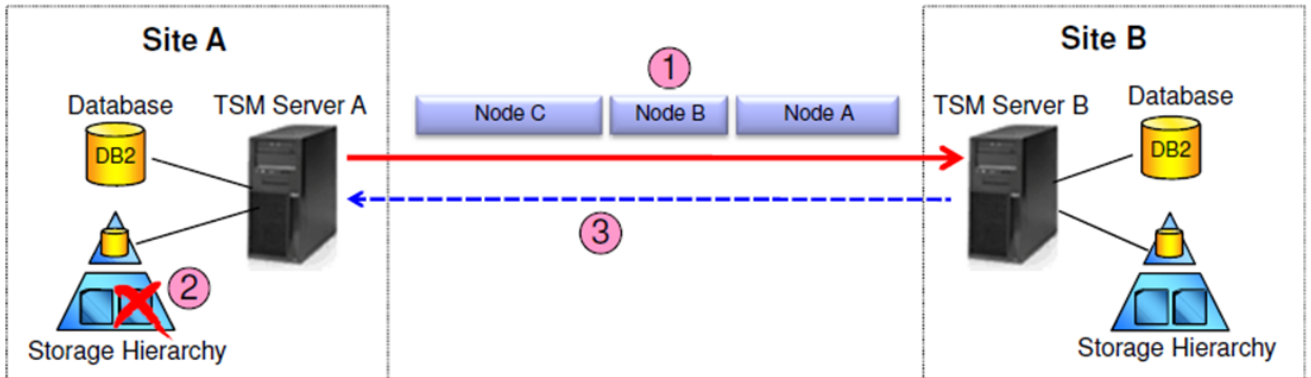


# Overview of damaged file recovery

**Remark:** Does **NOT** work for directory- or cloud container pools

REPLICATE NODE <xx> RECOVERDAMAGED=YES/NO/ONLY

## ❑ Recover damaged files from target server



### Scenario:

- 1) Server A replicates data to Server B
- 2) **Storage pool volume or files** on Server A is lost or data is otherwise inaccessible
- 3) Storage pool volume or files is restored from Server B to Server A

- SRS must enable: **SET replrecoverdamaged on**
- Additional step in replication process, if SRS has damaged files in a file space being replicated
  - Notifies the **TRS to resend them at the end of the replication**
  - When SRS replication ends, the TRS would start process **to resend the damaged files**
  - Damaged files are deleted and replaced with new copies, retaining original insertion date
- New parameter on **REPLICATE NODE** command: **RECOVERDAMAGED=YES|NO|ONLY**
  - **RECOVERDAMAGED=ONLY** will not do replication, it will only recover damaged files

### Defaults:

**NODE:** Q node xx f=d

Replication Recovery of Damaged Files: Yes

**SERVER:** Server q status:

Replication Recovery of Damaged Files: On

**Settings that effect the recovery of damaged files** (source: TSM/ISP 8.1.10 Reference Guide(s))

Setting for the REPLRECOVERDAMAGED system parameter	Value of the RECOVERDAMAGED parameter on the REPLICATE NODE command	Value of the RECOVERDAMAGED parameter on the REGISTER NODE and UPDATE NODE commands	Result
OFF	YES, NO, or not specified	YES or NO	During node replication, standard replication occurs and damaged files are not recovered from the target replication server.
OFF	ONLY	YES or NO	An error message is displayed because files cannot be recovered when the REPLRECOVERDAMAGED system parameter is set to OFF.

Setting for the REPLRECOVERDAMAGED system parameter	Value of the RECOVERDAMAGED parameter on the REPLICATE NODE command	Value of the RECOVERDAMAGED parameter on the REGISTER NODE and UPDATE NODE commands	Result
ON	YES	YES or NO	During node replication, standard replication occurs and damaged files are recovered from the target replication server.
ON	NO	YES or NO	During node replication, standard replication occurs and damaged files are not recovered from the target replication server.
ON	ONLY	YES or NO	Damaged files are recovered from the target replication server, but standard node replication does not occur.
ON	Not specified	YES	During node replication, standard replication occurs and damaged files are recovered from the target replication server.
ON	Not specified	NO	During node replication, standard replication occurs and damaged files are not recovered from the target replication server.

## TEST of REPLICATE NODE <\_\_\_\_> RECOVERDAMAGED =YES / NO / ONLY

### Remarks:

- at the end / after the replication a scan for damaged objects is done.
- A lot of Damaged Files on the Source (SRS) can have a negative performance impact.

**Test 1:** with "yes" and 122 damaged objects (from a total of 236) found:  
replicate node NODE\_S1\_D1 recoverdamaged=yes (with preview=yes)

**CMD:** replicate node NODE\_S1\_D1 recoverdamaged=yes  
preview=yes

```
replicate node NODE_S1_D1 recoverdamaged=yes preview=yes
ANR2017I Administrator SERVER_CONSOLE issued command: REPLICATE NODE NODE_S1_D1
recoverdamaged=yes preview=yes
ANR0984I Process 4 for Replicate Node - Preview started in the BACKGROUND at 22:58:07.
ANR2110I REPLICATE NODE started as process 4.
TSM:SERVER1>
ANR0408I Session 8 started for server SERVER2 (Windows) (Tcp/Ip) for replication.
ANR0408I Session 9 started for server SERVER2 (Windows) (Tcp/Ip) for replication.
ANR0408I Session 10 started for server SERVER2 (Windows) (Tcp/Ip) for replication.
ANR3193I Replication Preview: Proxy agent nodes identified: 0. Associated authorized
nodes identified: 0. Client option sets identified: 0.
ANR0328I Replication preview of node(s) NODE_S1_D1 completed. Files current: 236. Files
to be replicated: 0. Files to be updated: 0. Files to be deleted: 0. Amount to
replicated: 0 KB. Estimated run time: 0 Day(s), 0 Hour(s), 1 Minute(s).
ANR0987I Process 4 for Replicate Node - Preview running in the BACKGROUND processed 236
items with a completion state of SUCCESS at 22:58:08.
ANR0409I Session 8 ended for server SERVER2 (Windows).
ANR0409I Session 9 ended for server SERVER2 (Windows).
ANR0409I Session 10 ended for server SERVER2 (Windows).
ANR0408I Session 11 started for server SERVER2 (Windows) (Tcp/Ip) for replication.
ANR0409I Session 11 ended for server SERVER2 (Windows).
ANR0408I Session 12 started for server SERVER2 (Windows) (Tcp/Ip) for replication.
ANR0409I Session 12 ended for server SERVER2 (Windows).
ANR0408I Session 13 started for server SERVER2 (Windows) (Tcp/Ip) for replication.
ANR4910I A replication recovery preview was completed for the following nodes:
NODE_S1_D1. Nodes to be recovered: 1. Filespaces to be recovered: 1. Files to be
recovered: 122. Bytes to be recovered: 25,457 KB. Estimated run time: 0 Day(s), 0
Hour(s), 0 Minute(s).
```

**Test 2:** with "only" and no damaged files found:

**CMD:** replicate node node\_server1 recoverdamaged=only

```
tsm: SERVER1>replicate node node_server1 recoverdamaged=only  
ANR4909I No files found for replication recovery of damaged files.
```

```
tsm: SERVER1>help anr4909i  
ANR4909I No files found for replication recovery of damaged files.
```

Explanation: The replication recovery process has not started on the target replication server because no damaged files were found for the nodes specified on the REPLICATE NODE command.

System action: None.

User response: None.

+++++ end of document +++++